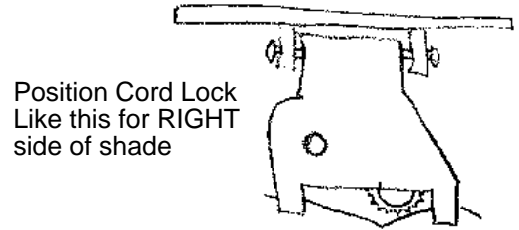
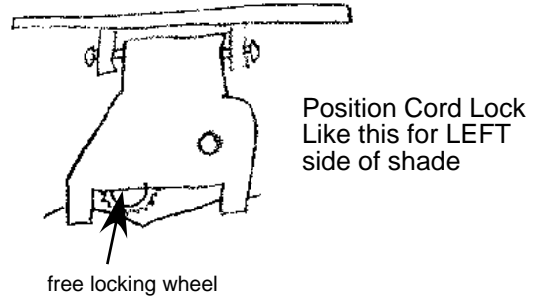
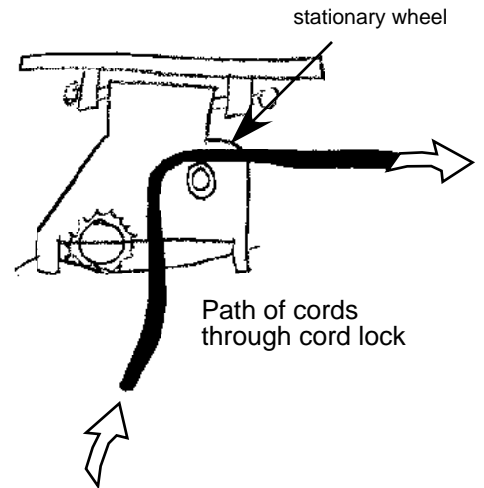


# RESTRINGING ROMAN FOLD SHADE

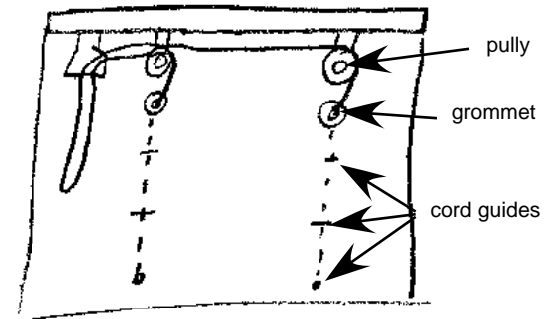
1. Position the cord lock so that the free locking wheel is facing towards the outside edge of the shade.  
(See diagrams at right)



2. String the cord through the cord lock from the bottom, over the stationary wheel and towards the center of the shade.



3. String the cords through the shade: over the pulleys, one cord through each grommet, along the back of the shade, through the cord guides, and tie securely to the bottom most cord guide.



Path of Cords Through Roman Fold Shade