

## Upright™ Shades

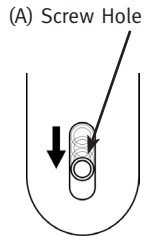
### IMPORTANT

In compliance with national safety regulations shades will not operate unless the cord tensioner is installed correctly! After the shade is installed, the cord tensioner must be secured to the wall.

1. Locate the tensioner as close to the shade as possible without interfering with the shade.

2. Make sure the screw hole (A) on the cord tensioner is pulled half way down before mounting. This will ensure the cord can move freely through the cord tensioner.

3. For IM installations attach the cord tensioner directly with a screw through the screw hole. For OM installations use the supplied mounting bracket (B).



(B) Mounting Bracket



### Warning

Young children can strangle in the loop of pull cords, chain and bead cords, and cords that run through window coverings. They can also wrap cords around their necks.

To avoid strangulation and entanglement, keep cords out of reach of young children. Also,

1. Install safety devices that remove the cord loop or reduce access to cords, and
2. Move cribs and furniture away from window covering cords.

## Care and Cleaning

It is recommended that Horizons Fabric Roman Shades be vacuumed periodically with a drapery hose attachment.

Professional cleaning is strictly recommended for all Fabric Roman Shades. A professional drapery cleaner may be found in the yellow pages or on the internet.

## Guarantee

B&W Window Fashions warrants that its Horizons products - properly installed in a residential dwelling will be free from defects in materials and workmanship for as long as the original purchaser owns the product. All fabric colors tend to lose their original intensity over time, and pull cords eventually wear out. This is considered normal wear and tear and is not covered by this warranty. Abuse and misuse are not covered. Color lots vary and may not exactly match a previously ordered product. Repair is the purchaser's sole remedy under this guarantee. This warranty does not cover incidental or consequential damages, installation or service calls.

B&W Window Fashions  
Waukegan, Illinois

Installation Instructions for

Horizons™  
by B&W

## Soft Treatments Fabric Roman Shades



Congratulations on  
the purchase of your new Horizons™  
Soft Treatments Fabric Roman Shade!

Horizons™  
by B&W

## New York Bracket Installation



Diagram A

### 1. PREPARE THE HEADRAIL :

- The headrail of your shade has been notched for New York brackets before being wrapped with fabric. (Diagram A)

- The number of notches is equal to the number of New York brackets. (Diagram B)

Shade Width	# of Brackets
0-48"	2
48"-84"	3
84"-96"	4

Diagram B

- The factory has pre-slitted the fabric to allow the post of the New York bracket. (Diagram C)

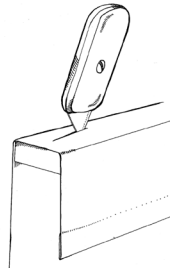


Diagram C

### 2. PUT UP THE BRACKETS:

- Install the New York Brackets in the window to line up with the slits in the headrail. (Diagram D)

- Remove the wing nuts from the "New York" brackets and slide the shade into position by sliding the shafts of the brackets into the slots cut into the top of the headrail.

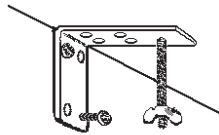


Diagram D

### 3. SECURE THE SHADE:

- While holding up the shade, reattach the wing nuts to the "New York" brackets and tighten.

Place the top middle lip of the headrail on the top lip of all brackets.

## 2" or 3" Screw Installation

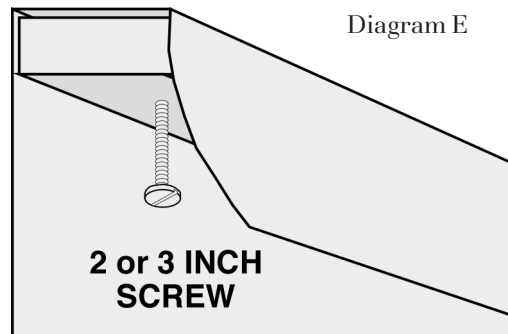
Installation with 2 or 3 inch screws is intended for inside or ceiling mount only. No bracket is required.

### 1. INSERT THE MOUNTING SCREWS:

With the shade down, insert the mounting screws from the bottom side of the headrail into the pre-drilled pilot holes.

### 2. POSITION THE SHADE:

Hold the shades up and position it in the window opening. Drive the mounting screw up through the headrail right into inside of the window opening, soffit, or ceiling. (Diagram E)



## Finishing Touches

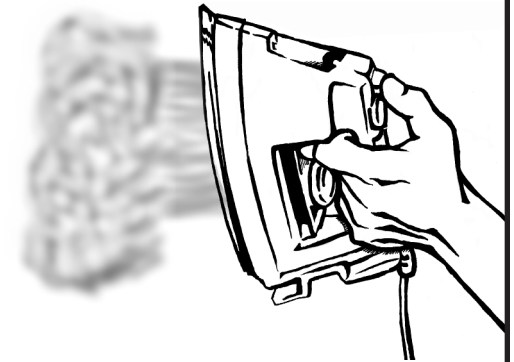
### Steaming the Shade

Like every fabric treatment, a brand new Horizons window fashion right out of the box may have wrinkles.

Many of the wrinkles will simply hang out after a few days. However, for best results, we recommend steaming your shade once it is installed.

If a professional steamer is unavailable, a standard iron with a steam button will work just as well.

Note: Use caution when steaming fabrics made from silk.



### Dressing the Shade

Part of the beauty of a fabric shade is the folding of the pleats. Often, a pleat on a new shade will fold in an unusual way.

Once the shade is raised, a little dressing of the pleats (pulling them into the desired position) may be necessary.

The shade will gradually develop a memory for how the pleats should hang, and little or no dressing will eventually be needed.